



EUROPEAN
COMMISSION

Community Research

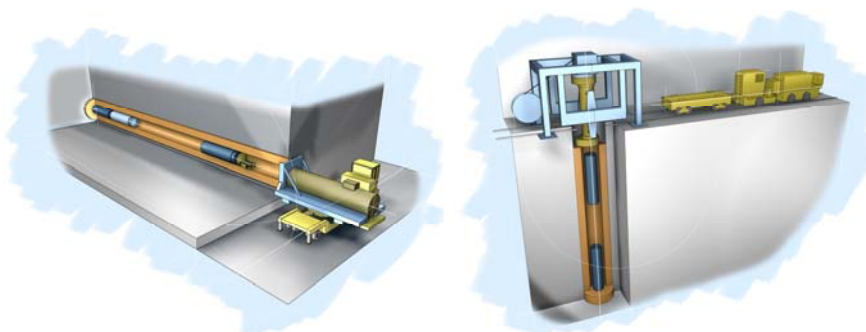


List of Participants

International Technical Conference on the Practical
Aspects of Deep Geological Disposal of Radioactive Waste

THEME

**Underground Disposal Unit Design & Emplacement Processes
For a Deep Geological Repository
“Operational & Safety Considerations”**



Hosted by

Czech Technical University in Prague – Faculty of Civil Engineering

Centre of Experimental Geotechnics

Prague, Czech Republic

June 16-18, 2008



Participants

First Name	Family Name	Company	Address	Zip Code	City	Country	E-Mail
Jana	ADAMCOVA	Charles University	Albertov 6	128 43	Prague 2	Czech Republic	jaad@centrum.cz
Jan	ADAMEK	VŠB			Ostrava	Czech Republic	
Maria Cruz	ALONSO	IETcc-CSIC	Serrano Galvache, 4	28033	Madrid	Spain	mcalonso@ietcc.csic.es
Marcus	AMME	NDA	Curie Avenue Harwell Didcot Oxfordshire	OX11 ORH	Oxford	UK	marcus.amme@nda.sov.uk
Marcel	ARNOULD	Consultant	6 Rue Carriere Marle	92340	Bourg-la-Reine	France	marcelarnould@yahoo.fr
Hidekazu	ASANO	Radioactive Waste Management Funding and Research Center	Pacific Marks Tsukishima, 1-15-7, Tsukishima, Chuo-ku	104-0052	Tokyo	Japan	asano@rwmc.or.jp
Attila	BAKSAY	Golder Associates Hungary	Hüvösvölgyi út 54	1021	Budapest	Hungary	Attila_Baksay@golder.com
Ignacio	BARCENA	AITEMIN	Margarita Salas 14	28919	Leganés- Madrid	Spain	ignacio.barcena@aitemin.es
Sylvain	BARTOLO	CNIM	ZI Brégaillon	83508	La Seyne sur Mer	France	sbarkolo@cnim.com
Pavla	BAUEROVA	Czech Technical University	Thákurova 7	166 29	Praha 6	Czech Republic	pavla.bauerova@fsv.cvut.cz
Pierre	BEREST	CNE	39-43 Quai André Citroën	75015	PARIS	FRANCE	C.jouvance.cne@wanadoo.fr
Frédéric	BERNIER	FANC	rue Ravenstein, 46	1000	Bruxelles	Belgium	frederic.bernier@fanc.fgov.be

First Name	Family Name	Company	Address	Zip Code	City	Country	E-Mail
Zdeněk	BITTNAR	Czech Technical University	Thákurova 7	166 29	Praha 6	Czech Republic	bittnar@fsv.cvut.cz
Enrique	BIURRUN	DBE Technology GmbH	Eschenstr. 56	31225	Peine	Germany	biurrun@dbe.de
Eliška	BOLECKOVA	Czech Technical University	Thákurova 7	166 29	Praha 6	Czech Republic	eliska.boleckova@fsv.cvut.cz
Wilhelm	BOLLINGERFERE HR	DBE Technology GmbH	Eschenstr. 57	31226	Peine	Germany	bollingerfehr@dbe.de
Jean-Michel	BOSGIRAUD	Andra	1/7 rue jean Monnet	92298 CEDEX	Châtenay-Malabry	France	jean-michel.bosgiraud@andra.fr
Brendan	BREEN	NDA	Curie Avenue Harwell Didcot Oxfordshire	OX11 ORH	Oxford	UK	brendan.breen@nda.sov.uk
Wernt	BREWITZ	TU Braunschweig	Beethovenstr. 51a	38106	Braunschweig	Germany	wernt.brewitz@tu-bs.de
Liliana	BUJOREANU	Institute for Nuclear Research	str Campului no. 1	POB 78	Pitesti-Mioveni	Romania	lvasii@yahoo.com
Costel Danut	BUJOREANU	Institute for Nuclear Research	str Campului no. 1	POB 78	Pitesti-Mioveni	Romania	lvasii@yahoo.com
František	CHALUPA	Charles University	Albertov 6	128 43	Prague 2	Czech Republic	
Amélie	CHARLET					USA	
Weon	CHOI CTI					Korea	
Yu-Jun	CUI	ENPC/CERMES	6 et 8 av. Blaise Pascal, Cité Descartes, Champs-sur-Marne	77455	Marne La Vallée cedex 2	FRANCE	cui@cermes.enpc.fr
Ping	CUI					FRANCE	

First Name	Family Name	Company	Address	Zip Code	City	Country	E-Mail
Christophe	DAVIES	European Commission	CDMA 1/61	BE-1049	Brussels	Belgium	christophe.davies@ec.europe.eu
Chris	DE BOCK	ONDRAF-NIRAS	KUNSTLAAN 14	1210	BRUSSELS	BELGIUM	C.DEBOCK@NIRONDBE
Caroline	DE LIMELETTE	Synatom	Avenue Eriane 7, Brussels	B-1200	Brussels	Belgium	caroline.delimelette@synatom.com
Olivier	DESTIN	AVN	Rue Walcourt 148	B-1070	Bruxelles	Belgium	ode@avn.be
Vítězslav	DUDA	RAWRA	Dlážděná 6	110 00	Praha 1	Czech Republic	duda@rawra.cz
Markéta	DVORAKOVA	VŠB			Ostrava	Czech Republic	
Taichi	ESAKI	Andra/RWMC	1/7, RUE JEAN MONNET	92298	CHATENAY- MALABRY	FRANCE	taichi.esaki@andra.fr
Sayaka	ESAKI						
Charles	FAIRHURST	Itasca Consulting Group Inc	417 Fifth Avenue North	MN 55075-2035	South Saint Paul	USA	fairh001@umn.edu
Sébastien	FARIN	Andra	1/7 rue jean Monnet	92298 CEDEX	Châtenay- Malabry	France	sebastien.farin@andra.fr
Wolfgang	FILBERT	DBE Technology GmbH	Eschenstr. 57	31226	Peine	Germany	filbert@dbe.de
Elizabeth	FORINASH	Nuclear Energy Agency	12, Boulevard des îles	92130	Issy-les- Moulineaux	France	elizabeth.forinash@oecd.org
Thomas	FRIES	Nagra	Hardstrasse 73	5430	Wettingen	Switzerland	thomas.fries@nagra.ch
José-Luis	GARCIA- SINERIZ	AITEMIN	Margarita Salas 14	28919	Leganés- Madrid	Spain	jlg.sineriz@aitemin.es
Claude	GATABIN	CEA	CEA Saclay LECBA BT 158 and	61191	GIF sur Yvette	France	claudio.gatabin@cea.fr

First Name	Family Name	Company	Address	Zip Code	City	Country	E-Mail
			133N				
Reinhold	GRAF	GNS	Hollestrasse 7A	45127	Essen	Germany	reinhold.graf@gns.de
Matthias	GRUNER	TU Bergakademie Freiberg	Gustav-Zeuner- Strasse 1a	9599	Freiberg	Germany	matthias.gruner@mabb.tu-freiberg.de
Fanch	GUERIN	CEGELEC	82 av leon Blum	38036	GRENOBLE	FRANCE	fanch.guerin@cegelec.com
Václav	HANUSIK	VUJE, Inc.	Okružná 5	918 64	TRNAVA	Slovak Republic	hanusik@vuje.sk
Jiří	HAVLICEK	Technická univerzita v Liberce	Studentská 2	461 17	Liberec	Czech Republic	jiri.havlicek@tul.cz
Richard	HEYSTEE	Ontario Power Generation	22 St Clair Ave East, 6 th Flr	M4T 2S3	Toronto, ON	Canada	rheystee@nwmco.ca
Ana Ma	HIDALGO LOPEZ	IETcc-CSIC	Serrano Galvache, 4	28033	Madrid	Spain	ahidalgo@ietcc.csic.es
Jakub	JANN	Czech Technical University	Thákurova 7	166 29	Praha 6	Czech Republic	jakub.jann@fsv.cvut.cz
Hans	JOHANSSON	SKB International Consultants AB	Box 1091	SE-101 39	Stockholm	Sweden	hans.johansson@skb.se
Mark	JOHNSON	NDA	Curie Avenue Harwell Didcot Oxfordshire	OX11 ORH	Oxford	UK	mark.johnson@nda.sov.uk
Kenichi	KAKU	NAGRA	Hardstrasse 73	Ch-5400	Wettingen	Switzerland	kkk@nagra.ch
Vladimír	KASPAR	Czech Technical University	Thákurova 7	166 29	Praha 6	Czech Republic	kasparv@fsv.cvut.cz
Hideki	KAWAMURA	Obayashi Corporation	2-15-2 Konan, Minato-ku	108-8502	Tokyo	Japan	kawamura.hideki@obayashi.co.jp

First Name	Family Name	Company	Address	Zip Code	City	Country	E-Mail
Young Ki	KIM						
Ulrich	KLEEMANN	Bundesamt für Strahlenschutz	Postfach 100149	38201	Salzgitter	Germany	kleemann@bfs.de
Josef	KLOMINSKÝ	Czech Geological Survey	Klárov 131/3 Praha 1	11821	Praha	Czech Republic	Josef.Klominsky@geology.cz
Dietrich	KOCH	S&B Industrial Minerals GmbH	Schmielenfeldstr. 78	45772	Marl	Germany	s.jakubik@ikominerals.com
Karel	KUNC	RAWRA	Dlážděná 6	110 00	Praha 1	Czech Republic	kunc@rawra.cz
Renata	KUNCOVA	Czech Technical University	Thákurova 7	166 29	Praha 6	Czech Republic	renata.kuncova@fsv.cvut.cz
Michal	KURAZ	Czech Technical University	Thákurova 7	166 29	Praha 6	Czech Republic	michal.kuraz@fsv.cvut.cz
Gregory	KUZYK	Atomic Energy of Canada Limited	P.O. Box 711,	R0E 1L0	Pinawa, Manitoba	Canada	kuzykg@aecl.ca
Sharon	KUZYK					Canada	
Taek Gue	KWON	KHNP				Korea	bimil@khnp.co.kr
Thibaud	LABALETTE	Andra	1/7 rue jean Monnet	92298 CEDEX	Châtenay-Malabry	France	thibaud.labalette@andra.fr
Hana	LANDIKOVA	Czech Technical University	Thákurova 7	166 29	Praha 6	Czech Republic	landikov@fsv.cvut.cz
Jae Owan	LEE	Korea Atomic Energy Research Institute	1045 Daedeok-daero, Yuseong-gu	305-353	Daejeon	Korea	jolee@kaeri.re.kr
Jaihak	LEE	Korea Hydro&Nuclear Power Co. Ltd	167 Samsung-dong, Gangnam-gu, Seoul, Korea	135-791	Seoul	Korea	jaihak@khnp.co.kr

First Name	Family Name	Company	Address	Zip Code	City	Country	E-Mail
André	LESAVRE	Andra	1/7 rue jean Monnet	92298 CEDEX	Châtenay-Malabry	France	andre.lesavre@andra.fr
Louis	LONDE	Andra	1/7 rue jean Monnet	92298 CEDEX	Châtenay-Malabry	France	louis.londe@andra.fr
Edgar	MANUKYAN	ETH Zurich	Schafmattstrasse 30	8093	Zurich	Switzerland	edgar@aug.ig.erdw.ethz.ch
Farimah	MASROURI	LAEGO-INPL	Rue M. Roubault	54501	Vandoeuvre	France	Farimah.Masrouri@ensg.inpl-nancy.fr
Juan Carlos	MAYOR	ENRESA	Emilio Vargas 7	28046	Madrid	Spain	jmaz@enresa.es
Ian	MCKINLEY	McKinley Consulting	Täferstrasse 11	5405	Baden/Dättwil	Switzerland	ian@mckinleyconsulting.ch
Linda	MCKINLEY					Switzerland	
Jakub	MERTEN	Charles University	Albertov 6	128 43	Prague 2	Czech Republic	
Jitka	MIKSOVA	RAWRA	Dlážděná 6	110 00	Praha 1	Czech Republic	miksova@rawra.cz
Bernard	NEERDAEL	IAEA	Wagramerstrasse 5	1400	Vienna	Austria	B.Nerdael@iaea.org
Rodica	NICOLAE	SITON	409, Atomistilor Street	77125	Magurele, ILFOV	Romania	nicolaer@router.citon.ro
Sumio	NIUNOYA	Obayashi Corporation	Rütistrasse 2	Ch-5400	Baden	Switzerland	obayashi@nagra.com
Hossein	NOWAMOOZ	Laego/INPL	Rue M. Rauboult	54501	Vandoeuvre	France	hossein.nowamooz@ensg.inpl-nancy.fr
Jaroslav	PACOVSKÝ	Czech Technical University	Thákurova 7	166 29	Praha 6	Czech Republic	pacovsky@fsv.cvut.cz
David	PARKIN	Atkins	240 Aztec West, Almondsbury	BS32 4SY	Bristol	United Kingdom	david.parkin@atkinsglobal.com

First Name	Family Name	Company	Address	Zip Code	City	Country	E-Mail
Ladislav	PAZDERA	Ministry of Industry and Trade	Na Františku 32	110 15	Praha 1	Czech Republic	pazdera@mpo.cz
Frank	PEIFFER	GRS	Schwetnergasse 1	50667	Köln	Germany	Frank.Peiffer@grs.de
Jana	PETROVA	RAWRA	Dlážděná 6	110 00	Praha 1	Czech Republic	petrova@rawra.cz
Stig	PETTERSSON	SKB	Box 252	SE-10126	Stockholm	Sweden	stig.petterson@skb.se
Christodoulos	PPALOS	Charles University	Albertov 6	128 43	Prague 2	Czech Republic	ppalosch@yahoo.com
Slavka	PRVAKOVA	EC-JRC, Institute for Energy	P.O.Box 2	1755 ZG	Petten	Netherlands	slavka.prvakova@jrc.nl
Norbert	REMPE	WIPP	P.O. Box 2078	88220	Carlsbad, NM	USA	norbert.rempe@wipp.ws
Judy	REMPE					USA	
Tilman	ROTHFUCHS	GRS	P.O. Box 21 26	38011	Braunschweig	Germany	tilman.rothfuchs@grs.de
Alain	ROULET	Andra	1/7 rue jean Monnet	92298 CEDEX	Châtenay-Malabry	FRANCE	alain.roulet@andra.fr
Petr	SALAK	Czech Technical University	Thákurova 7	166 29	Praha 6	Czech Republic	petr.salak@fsv.cvut.cz
Dominique	SALASCA	CNIM	ZI Brégaillon	83507	La Seyne sur Mer	France	dsalasca@cnim.com
Jukka-Pekka	SALO	Posiva Oy	Olkiluoto	FI-27160	Eurajoki	Finland	jukka-pekka.salo@posiva.fi
Ellie	SCOURSE	Atkins	31Cotham Road	BS6 6DJ	Bristol	UK	ellie.scourse@atkinglobal.com
Wolf K.	SEIDLER	Andra	1/7 rue jean Monnet	92298 CEDEX	Châtenay-Malabry	France	wolf.seidler.tdmservice@andra.fr

First Name	Family Name	Company	Address	Zip Code	City	Country	E-Mail
Cecelia	SEIDLER					France	
Arturas	SMAIZYS	Lithuanian Energy Institute	Breslaujos str. 3	LT-44403	Kaunas	Lithuania	smaizys@mail.lei.lt
Thomas	SPILLMANN	NAGRA	Hardstrasse 73	5430	Wettingen	Switzerland	thomas.spillmann@nagra.ch
Walter	STEININGER	Forschungszentrum Karlsruhe	Hermann-von-Helmholtz-Platz 1	76344	Eggenstein-Leopoldshafen	Germany	walter.steininger@ptka.fzk.de
Martina	STUDENA	Charles University	Albertov 6	128 43	Prague 2	Czech Republic	martina.studena@seznam.cz
Christer	SVEMAR	SKB	Box 250	SE-10124	Stockholm	Sweden	christer.svemar@skb.se
Jiří	SVOBODA	Czech Technical University	Thákurova 7	166 29	Praha 6	Czech Republic	jiri.svoboda@fsv.cvut.cz
Jana	ŠOLTESOVA	RAWRA	Dlážděná 6	110 00	Praha 1	Czech Republic	soltesova@rawra.cz
Jiří	ŠTASTKA	Czech Technical University	Thákurova 7	166 29	Praha 6	Czech Republic	jiri.stastka@fsv.cvut.cz
Anh-Minh	TANG	ENPC/CERMES	6 et 8 av. Blaise Pascal, Cité Descartes, Champs-sur-Marne	77455	Marne La Vallée cedex 2	France	tang@cermes.enpc.fr
Erik	THURNER	SKB	Box 250	SE-10124	Stockholm	Sweden	erik.thurner@skb.se
Satohito	TOGURI	Radioactive Waste Management Funding and Research Center	Pacific Marks Tsukishima, 1-15-7 Tsukishima, Chuo-ku	104-0052	Tokyo	Japan	toguri@rwmc.ne.jp
Dagmar	TRPKOSOVA	Charles University	Albertov 6	128 43	Prague 2	Czech Republic	dagmartrpkosova@seznam.cz
Hughes	VAN HUMBEECK	ONDRAF/NIRAS	Avenue des arts 14	1210	Brussels	Belgium	hvh@nirond.be

First Name	Family Name	Company	Address	Zip Code	City	Country	E-Mail
Alain	VANCOTTHEM	Tractebel	7 Avenue Ariane	1200	Brussels	Belgium	alain.vancotthem@tractebel.com
Radek	VASICEK	Czech Technical University	Thákurova 7	166 29	Praha 6	Czech Republic	radek.vasicek@fsv.cvut.cz
Vlasta	VASUTOVA	Charles University	Albertov 6	128 43	Prague 2	Czech Republic	vasutovavlasta@seznam.cz
Ewoud	VERHOEF	COVRA N.V.	PO Box 202	4380 AE	Vlissingen	Netherlands	ewoud.verhoef@covra.nl
Sylvie	VOINIS	Andra	1/7 rue jean Monnet	92298 CEDEX	Châtenay-Malabry	france	sylvie.voinis@andra.fr
Dita	VOKACOVA	KERAMOST, a.s.	Žatecká 1899/25	43430	Most	Czech Republic	vokacova@keramost.cz
Antonín	VOKAL	Nuclear Research Institute Řež	Husinec-Rez 130	25068	Husinec-Rez	Czech Republic	voa@ujv.cz
Marja	VUORIO	Posiva Oy	Olkiluoto	FI-27160	Eurajoki	Finland	marja.vuorio@posiva.fi
Peteri	VUORIO	Posiva Oy	Olkiluoto	FI-27160	Eurajoki	Finland	petteri.vuorio@posiva.fi
Hanspeter	WEBER	Nagra	Hardstrasse 73	5430	Wettingen	Switzerland	weber@nagra.ch
Stefan	WEBER	GRS	Schwertnergasse 1	50667	Köln	Germany	
Alfred	WEINMANN	Cetco Europe Ltd.	Promenadeweg 24	D-68782	Bruehl	Germany	EsiumConsulting@hotmail.com
František	WOLLER	RWM Consultant	Tusarova 5	170 00	Praha 7	Czech Republic	fwoller@seznam.cz
Björn	ZENNER	S&B Industrial Minerals GmbH	Schmielenfeldstr. 78	45772	Marl	Germany	b.zenner@ikomaterials.com