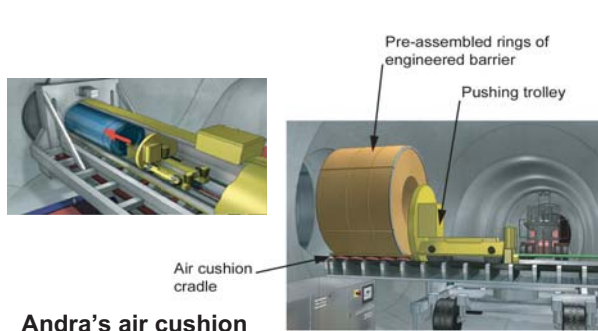


ESDRED - An Integrated Project Focused on Technology Development (3/3)

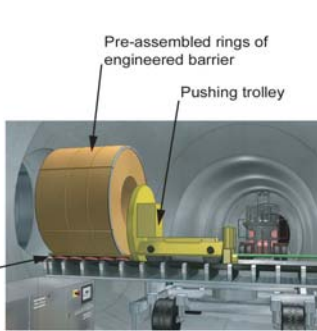
Wolf K Seidler, Jean-Michel Bosgiraud

Andra - Agence nationale pour la gestion des déchets radioactifs

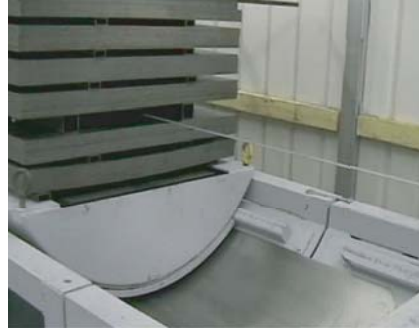
MODULE 3 - HEAVY LOAD EMPLACEMENT



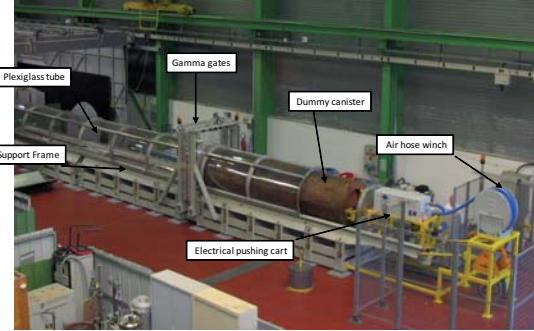
Andra's air cushion emplacement concept for 43 ton CU1 canisters



Same concept for emplacement of 17 ton bentonite ring packages



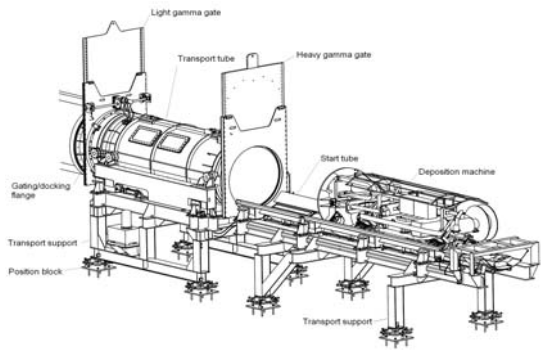
Prototype air cushion cradle and 14 ton load in 1,25m diameter disposal cell mock-up November 2004



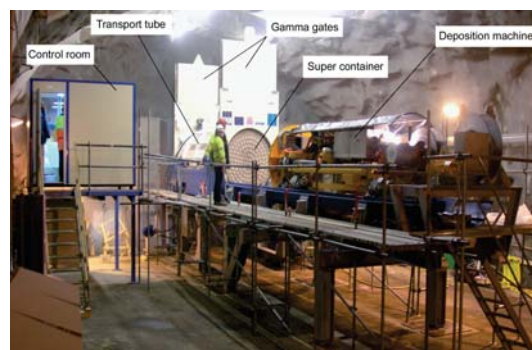
View of the CU1 emplacement system at the test site (Summer 2006) at La Hague



View showing emplacement cart, radiation shield, pushing jack, canister and gripping mechanism



3D illustration of the configuration of SKB's KBS-3H deposition equipment



SKB's Water cushion system at Äspö

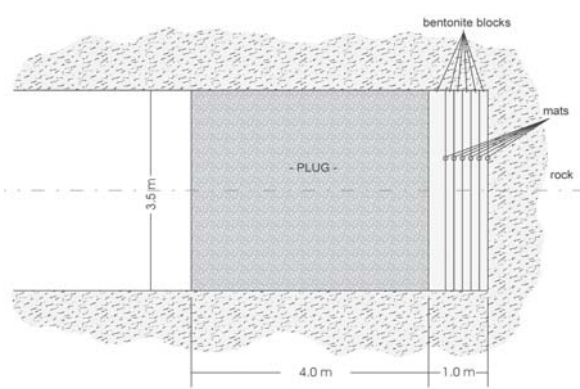


SKB's transport tube for Super Container



The water cushion deposition machine in the demonstration drift at Äspö

MODULE 4 - LOW pH CEMENT, SHOTCRETE APPLICATIONS



Long Plug Layout constructed at Grimsel Switzerland (2007)



Installation of hydration mat during bentonite buffer construction (2007)



Construction of bentonite block buffer at Grimsel (2007)



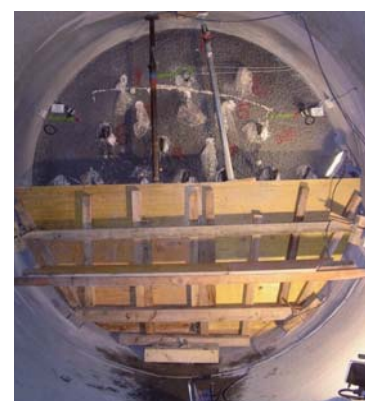
Construction of bentonite block buffer at Grimsel (2007)



Single bentonite buffer layer almost completed



View of bentonite buffer finished



Down stream face with temporary wooden dam installed



General view of the experiment